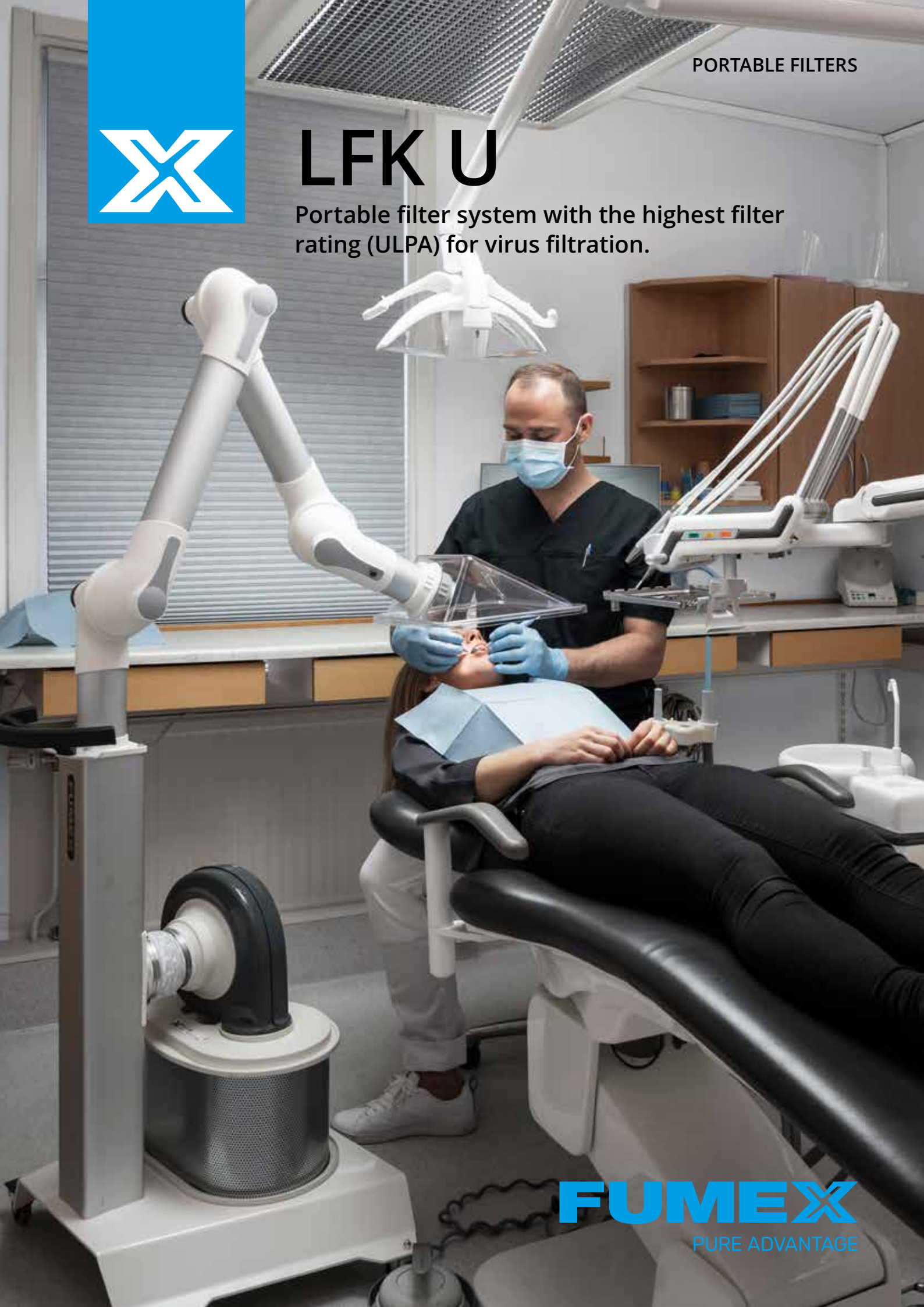


PORTABLE FILTERS



# LFK U

Portable filter system with the highest filter rating (ULPA) for virus filtration.



**FUMEX**  
PURE ADVANTAGE

**LFK U**

- Filter FPU 50
- Fan FF 100
- Hose SL-100LF
- Flexible table bracket MBF
- Extractor arm MEB 1300-50/75
- Suction Nozzle MES 300-50/75

**LFK U on LF TR**

- Filter FPU 50
- Fan FF 100
- Hose SL-100LF
- Portable Trolley LF TR
- Extractor arm MEB 1300-50/75
- Suction Nozzle MES 300-50/75



Portable filter system for environments where protection against viruses is essential, e.g. dental clinics, healthcare facilities and laboratories.

**FUMEX LFK U** is an effective and flexible solution consisting of a fan, filter and extraction arm in a single unit. It is highly suitable for use in healthcare environments where exhaled air, which could potentially contain viruses or residues from inhaled medicines, can be problematic.

Fumex LFK U is available in two versions: **LFK 150U** with a Ø50 mm extractor arm, and **LFK 175U** with a Ø75 mm extractor arm. LFK U works according to the low-vacuum principle, which entails a very low risk of filter failure, produces little noise and has low power requirements.

For maximum efficiency, Fumex LFK U is equipped with a highly efficient filter (ULPA 15 rating), an optimised fan with a reliable EC motor with speed control

and a flexible ME extractor arm, which features the lowest pressure drop on the market.

Among the accessories is the **LF TR**, a portable trolley on lockable wheels with bracket for the ME extractor arm. **LF TR** is compact and easily blends into the work environment.

The fan and filter can be combined with other extractors available in Fumex range of products.

## Virus filtration

Viruses in dry form have a size of 0.08-0.12 µm but are usually bound to an aerosol and are therefore almost always larger. A ULPA filter is very good at filtering these particles.

Fumex LFK U has an ULPA filter (FPU 50) as standard. The filter is rated ULPA 15 and tested in accordance with EN 1822-1 and has a separation efficiency >99.9995%.

The filter is tested using the MPPS (Most Penetrating Particle Size) method with a size of 0.17 µm, which is the most difficult size for a filter to capture. For smaller or larger particles, the filter has higher separation efficiency.

The filter test is carried out at flow of 100 m<sup>3</sup>/h (28 l/s) per m<sup>2</sup> filter area. At higher flows per m<sup>2</sup>, the filter efficiency is reduced. Fumex FPU 50 has a filter area of 4,8 m<sup>2</sup> and can thus tolerate a flow of up to 480 m<sup>3</sup>/h without diminished separation efficiency.

The FPU 50 filter should be replaced once a year.

**Aerodynamic diameter (µm) of particles and probable accumulation area in the respiratory system.**

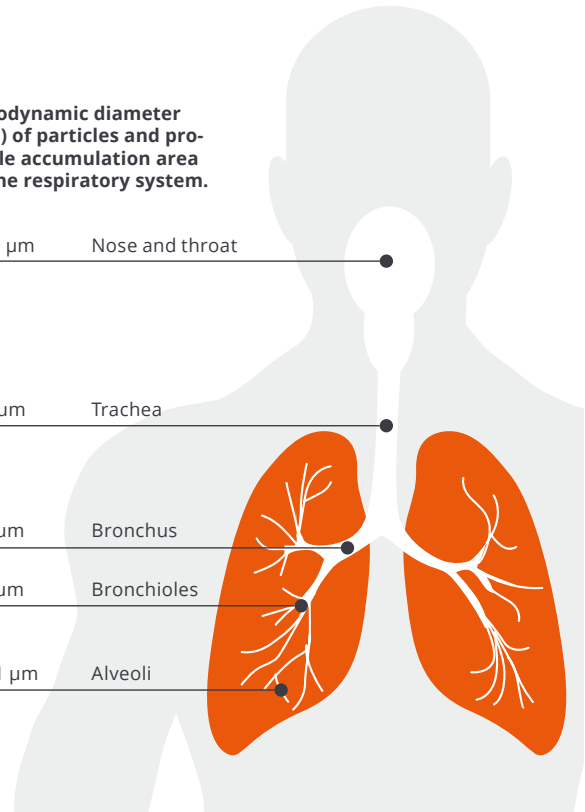
5-10 µm Nose and throat

3-5 µm Trachea

2-3 µm Bronchus

1-2 µm Bronchioles

0.1-1 µm Alveoli



## Accessories



### MOBILE TROLLEY LF TR

Mobile trolley for LFK U with lockable swivel wheels and bracket for ME extractor arm.

Art. no: LF TR

Dimensions (HxWxD): 937x750x597 mm

Weight: 15,5 kg



### EXHAUST AIR ADAPTER

Art. no: LF VTA

Ø125 mm exhaust air duct connector. Cannot be combined with LF TR.



### FLEXIBLE SUCTION NOZZLE

Art. no:

MEFS 600-50 (Ø50 mm)

MEFS 600-75 (Ø75 mm)

Length: 600 mm



### SQUARE HOOD

Art. no:

MESH 350-50 (Ø50 mm)

MESH 350-75 (Ø75 mm)

Dimensions: 300x360 mm



### FLAT SCREEN HOOD

Art. no:

MEPH 300-50 (Ø50 mm)

MEPH 300-75 (Ø75 mm)

Dimensions: 300x195 mm



### DOME HOOD

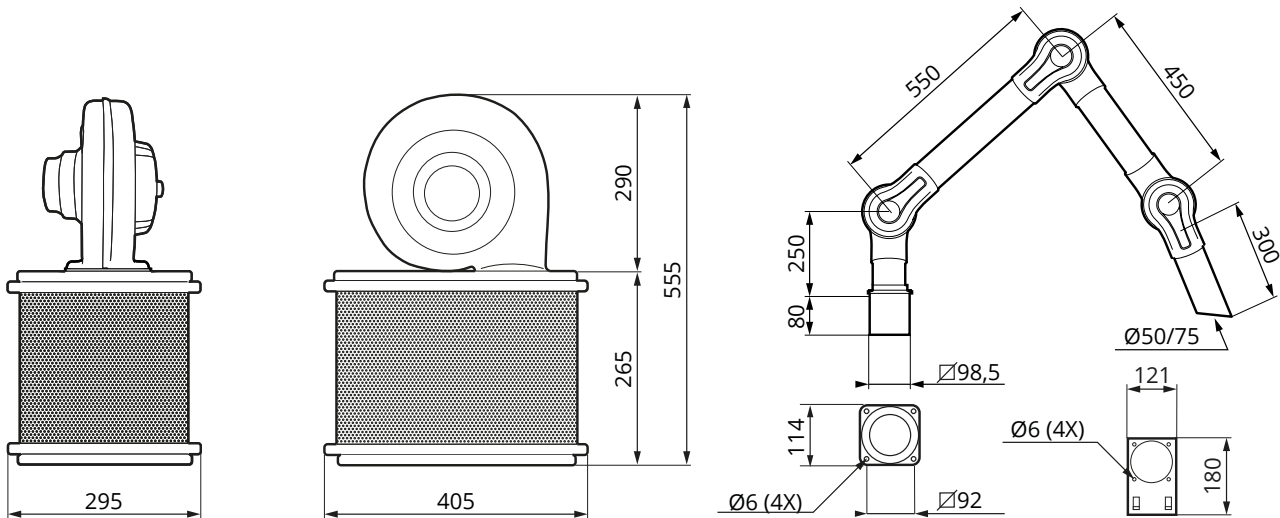
Art. no:

MEK 350-50 (Ø50 mm)

MEK 350-75 (Ø75 mm)

Dimension: Ø350 mm

## Dimensional drawing (mm)



## Specifications

### Form of delivery

The complete kit for easy installation contains:

- Fan FF 100
- Filter FPU 50
- Hose SL-100LF, 3 m
- Table mount MBF

including:

- LFK 150U**
  - Extractor arm MEB 1300-50
  - Suction Nozzle MES 300-50
- LFK 175U**
  - Extractor arm MEB 1300-75
  - Suction Nozzle MES 300-75

### Surface finishing

Sheet metal parts      Powder coated, galvanised  
Aluminium parts      Anodised

### Filter

Particle filter designed to meet the highest filtration requirements (ULPA 15 rating), tested in accordance with EN 1822-1 with separation efficiency >99.9995% MPPS.

### Hose type

PVC-coated polyamide fabric with fully embedded spring steel coil. Temperature range -10 °C to 90 °C.

### Fan

Fan housing in ABS plastic. EC motor with variable speed control in two versions:

Article	Voltage	Rated current (A)	Power	Frequency
FF 100-230V	200-240V	1,32 A	165 W	50-60 Hz
FF 100-115V	100-130V	2,1 A	145 W	50-60 Hz

Sound level	60 dB(A)
Max temperature	50 °C

### Recommended air flow:

LFK 150U:	75 m <sup>3</sup> /h (21 l/s)
LFK 175U:	150 m <sup>3</sup> /h (42 l/s)

### Weight

LFK 150U	12 kg
LFK 175U	13 kg