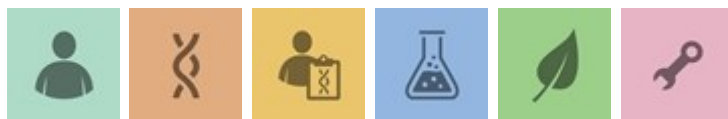


PolyFan

VSB14



The Laboratory Systems Group range of polyfans are specifically engineered to suit high volume ventilation applications. Constructed from premium quality materials, the VSB-series polyfan range incorporate a highly corrosive-resistant fully metal-free casing with a high efficiency fully balanced impellor.

- Available in a range of sizes to meet a wide range of applications.



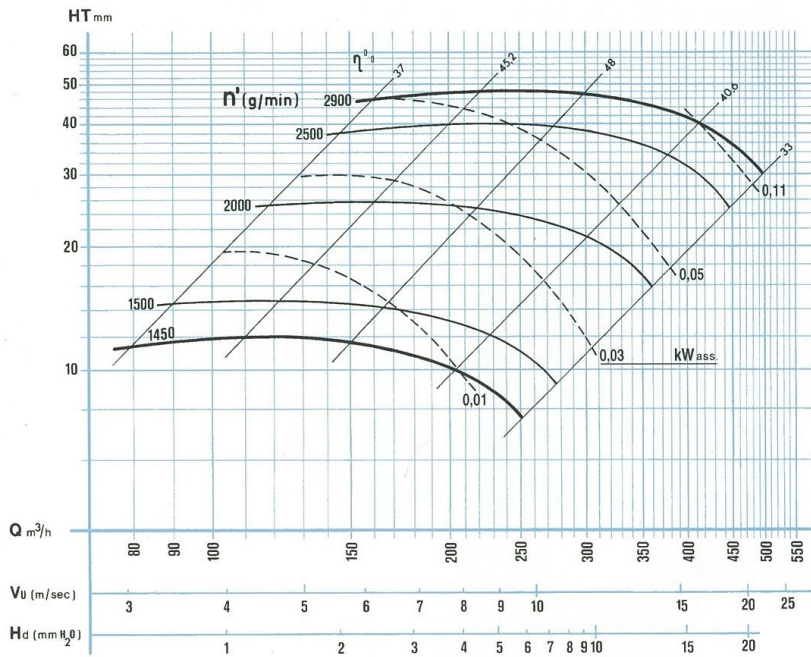
Features

- Polypropylene Casing and Impellor
- Rigid polymer frame for years of corrosion-free operation
- IP-56 Rated motor to suit application
- Polyurethane Inlet and outlet flexibles with Stainless Steel bands supplied as standard
- Case can be rotated to exhaust at any of eight positions
- Available in Right-Hand orientation only

Rev 17/06

Polyfan

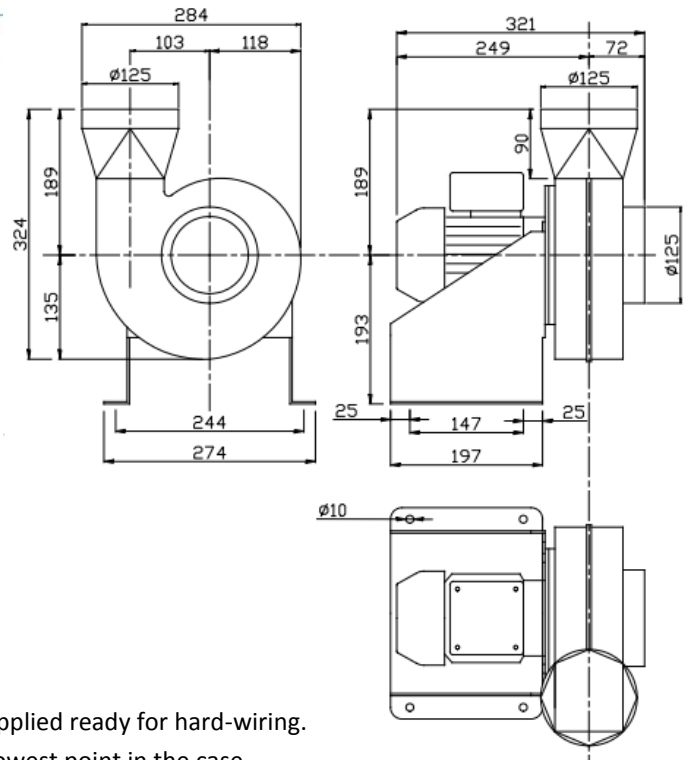
VSB14



Optional Features

- Motor selected to suit your application
- Tropics Motor Cover
- Casing Outlet Orientation to suit your application
- Fan Frame Material

DIMENSIONS	VSB14
Inlet/Outlet Diameter (MM)	122
Height (Approx. MM)	380
Width (Approx. MM)	320
Depth (Approx. MM)	320
Weight (Approx. Kg)	7.0



VSB14 default motor configuration is 0.18kw/4-pole/1-phase supplied ready for hard-wiring.

All VSB Series Fans incorporate a 20mm drain fitted at the lowest point in the case.